

WE'RE THE COMPANY THAT BRINGS YOU THURMAN...

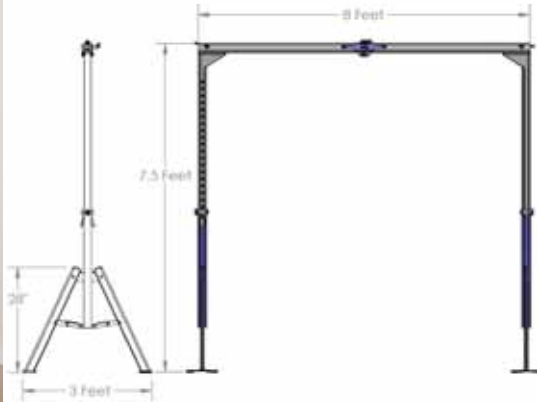


AND THURMAN BRINGS YOU THE FREE STAND TRACK SYSTEM

The innovative Free Stand Track System has been designed with both caregiver and client in mind. Easy to assemble, this portable ceiling track system, comes ready to use and can be assembled by one person. Assembly takes just minutes with no tools required. The Free Stand is height adjustable and no component weighs more than 17 lb. Secure and sturdy, the Free Stand can be used for both temporary and permanent applications with no modifications required to the environment and the customized roller bag allows for easy transport. The Free Stand is designed for use in conjunction with Waverley Glen's industry leading C-300 ceiling lift system.

WAVERLEY GLEN
A PRISM MEDICAL COMPANY

WAVERLEY GLEN Free Stand TRACK SYSTEM



WE'RE THE COMPANY THAT BRINGS YOU A SAFER WAY FOR BOTH CLIENT AND CAREGIVER

The Free Stand provides a more effective transfer system than the traditional mobile lift. Lightweight and economical, this system provides the utmost in safety for both client and caregiver.

PRODUCT HIGHLIGHTS

- Total system weighs 45 lb. making it the lightest system on the market
- No single component weighs more than 17 lb.
- Safe working load of 300 lb. (136 kgs) accommodates over 98% of the population
- 8' length allows ample room for transfers from bed to chair in a homecare or commercial setting
- Secure fit supports ensure stability
- Minimally invasive design allows the product to fit comfortably in any setting
- Assembly in minutes by one person with no tools required
- Components fold easily to fit in the ergonomic carry bag

TECHNICAL SPECIFICATIONS

- Construction: Aluminum
- Height Adjustable: up to 7.5' (1.95 m)
- Length: 8' (2.4 m)
- Unit Weight: 45 lb. total
- Maximum Load: 300 lb. (136 kgs)
- Tested to ISO standards

WAVERLEY GLEN
A PRISM MEDICAL COMPANY



Prism Medical
45 Progress Parkway, Maryland Heights, MO USA 63043 | T 314.692.9135 | 1.866.891.6502
www.prismmedicaltd.com

For Your Convenience

